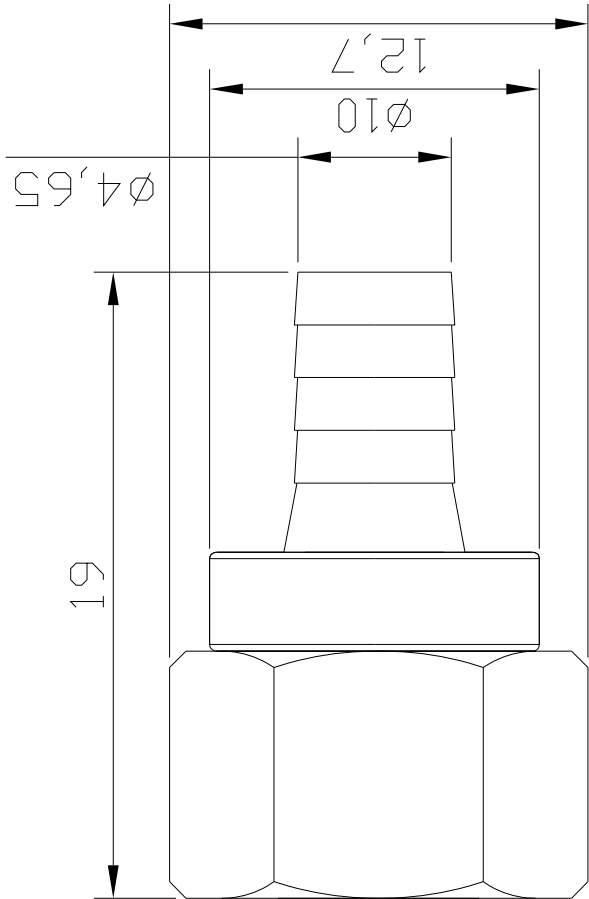


RevNo(序号) 项	Revision note(校订事项)	Date(日期)	Signature(签字)	Checked(日期)
△				



TITLE (名称)	SURFACE FINISH (表面处理)		DO NOT SCALE DRAWING (不可实测图面尺寸)
PART CODE NO (零件编号)	DESIGNED BY (设计)	UNITS(单位) mm	SCALE(比例)
MATERIAL (材料)	CHECKED BY (审核)	SHEET (第三角法)	
DRAWING NUMBER (图号)	APPROVED BY (确认)	CVC	

A B C D E F

1 2 3 4

A B C D E F

1 2 3 4