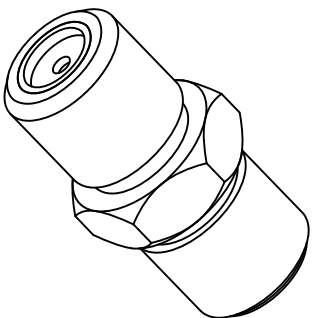
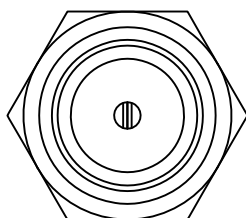
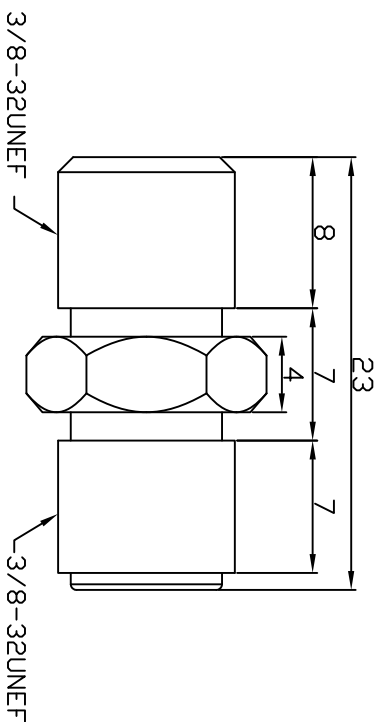
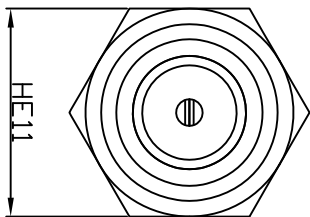
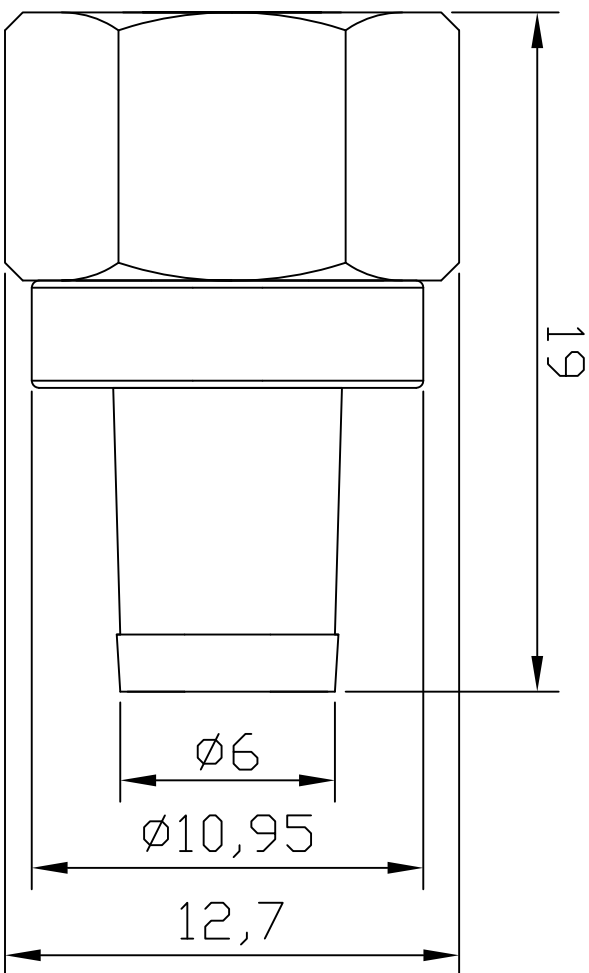


RevNo(序号)	Revision note(备注)	Date(日期)	Signature(签字)	Checked(日期)

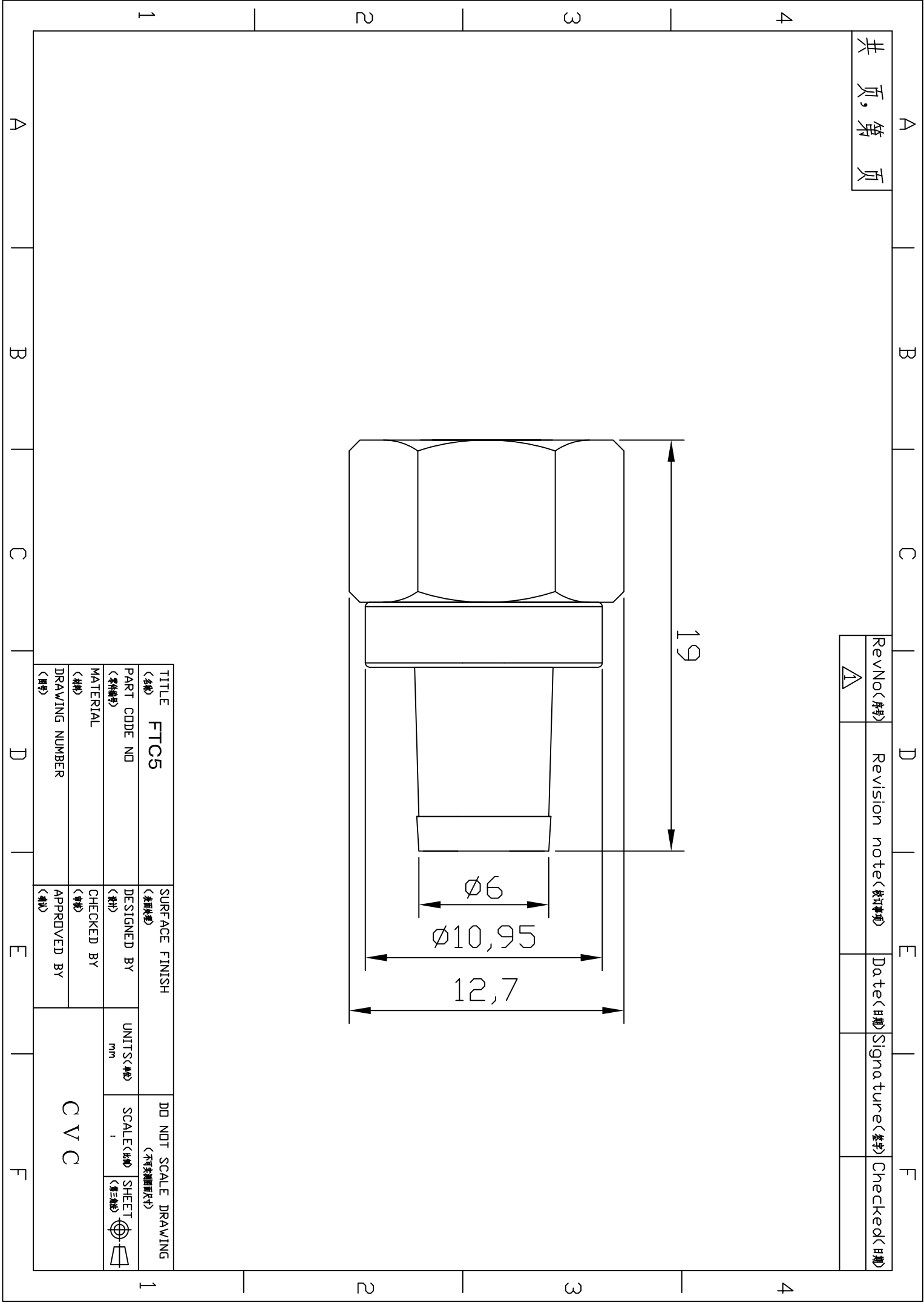


TITLE (名称)	FF	SURFACE FINISH (表面处理)	DD NDT SCALE DRAWING (不带检测图尺寸)
PART CODE NO (零件编号)		DESIGNED BY (设计) ZHENG	UNIT(单位) mm
MATERIAL (材料)		CHECKED BY (审核)	SCALE(比例) 1:1
DRAWING NUMBER (图号)		APPROVED BY (审核)	SHEET(张数) 
CVC			

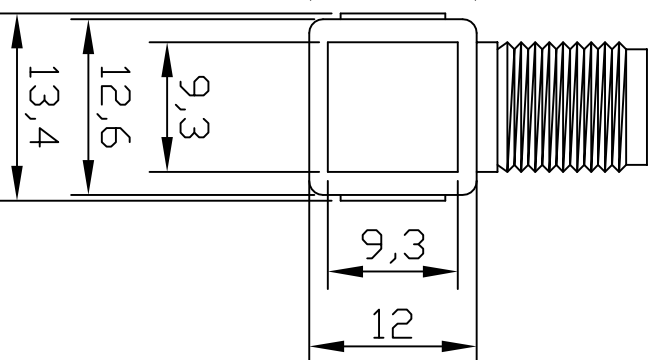
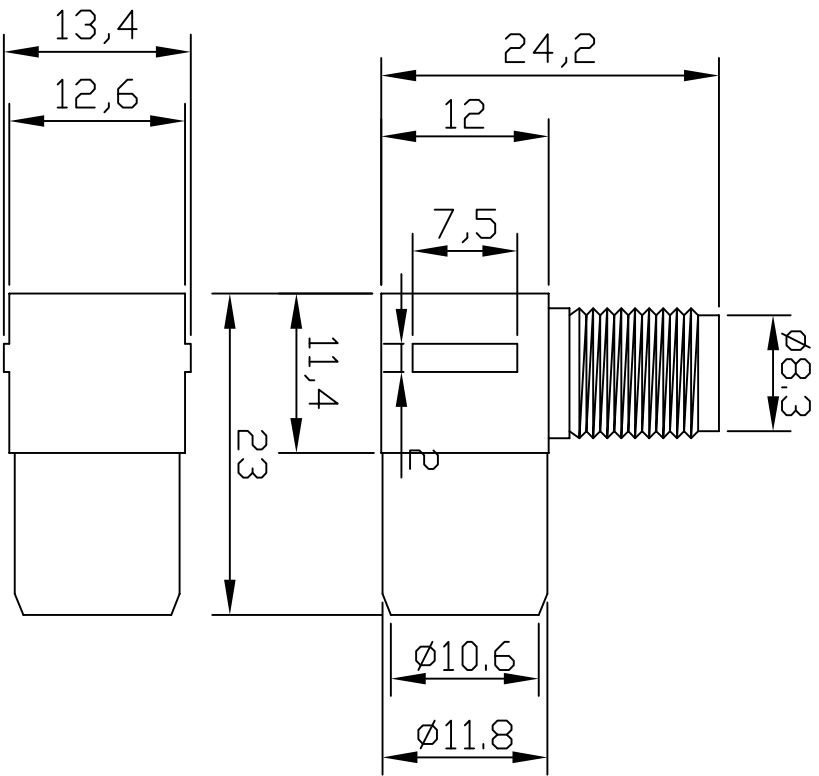
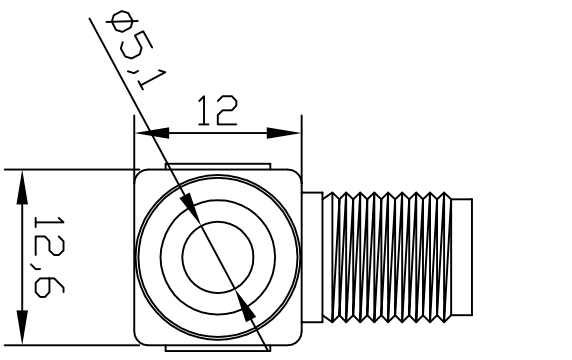
RevNo(序号)	Revision note(修订单)	Date(日期)	Signature(签字)	Checked(日期)
Δ				



TITLE (名称) <b>FTC5</b>	SURFACE FINISH (表面修饰)	DD NDT SCALE DRAWING (不可变比例图尺寸)
PART CODE NO (零件编号)	DESIGNED BY (设计)	UNITS(单位) mm
MATERIAL (材料)	CHECKED BY (审核)	SCALE(比例) 1:1
DRAWING NUMBER (图号)	APPROVED BY (审批)	SHEET(张数) 1
<b>C V C</b>		



A		B		C		D		E		F	
Revno	Revision note	Date	Signature	Checked							
1											



TOLERANCE CLASS	DIMENSION	ANGLE	TITLE	SURFACE FINISH	DO NOT SCALE DRAWING
0,0<=A<6,0	±0,01	±5'	LCP	Designed by	Unit (mm)
6,0<=A<20,0	±0,02	±15'	PART CODE NO	Checked by	Scale (??)
20,0<=A<50,0	±0,03	±30'	MATERIAL	Approved by	Sheet
50,0<=A<100	±0,05	±45'	DRAWING NUMBER		
100<=A<250	±0,07	±1,0'			
250<=A<500	±0,10	±1,5'			

CVC

1 2 3 4

1 2 3 4

A

B

C

D

E

F