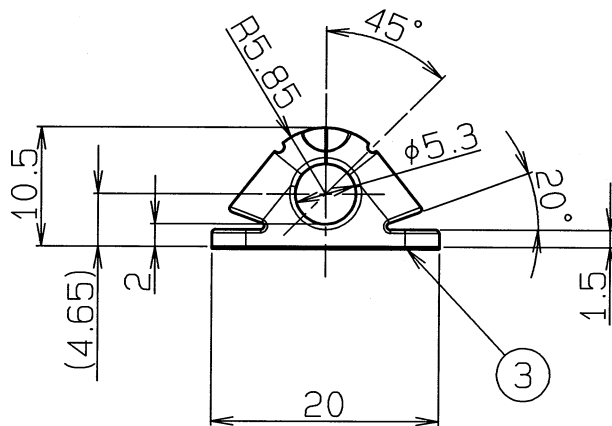
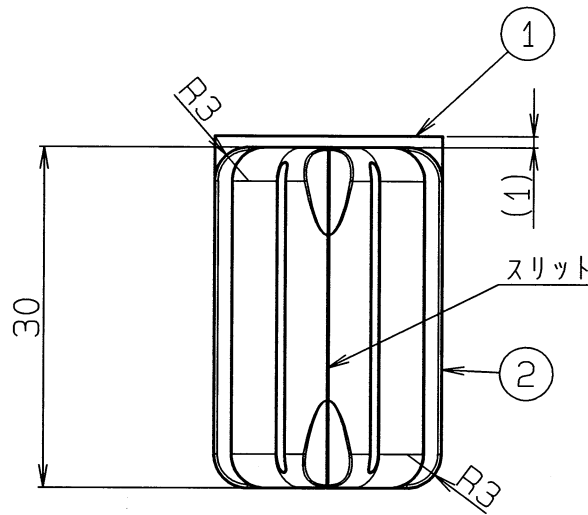


1 2 3 4 5 6

| 呼び寸法<br>RANGE | 許容差の区分<br>COMMON TOLERANCE |      |      |
|---------------|----------------------------|------|------|
| ≤ 10          | ±0.1                       | ±0.2 | ±0.4 |
| ≤ 25          | ±0.15                      | ±0.3 | ±0.6 |
| ≤ 80          | ±0.25                      | ±0.5 | ±1.0 |
| ≤ 250         | ±0.4                       | ±0.8 | ±1.5 |
| ≤ 1000        | ±1.0                       | ±2.0 | ±6.0 |



|   |            |   |      |  |    |
|---|------------|---|------|--|----|
| 3 | 両面テープ      | 1 |      |  |    |
| 2 | コードホルダー-3D | 1 | EPDM |  | 黒色 |
| 1 | 剥離紙        | 1 |      |  |    |

| △         | 部番<br>ITEM                             | 名<br>DESCRIPTION | 株<br>QUANTITY | 材<br>MATERIAL                        | 処<br>TREATMENT | 部<br>PART | 図<br>DRAWING No. | 備<br>NOTE |
|-----------|--|------------------|---------------|--------------------------------------|----------------|-----------|------------------|-----------|
| △         | SCALE                                  | DESIGNED         | DRAWN         | INSPECTED                            | APPROVED       |           |                  |           |
| △         | R free                                 | 担 小島             | 製 小島          | 検 (幸)                                | 承 (川)          |           |                  |           |
| △         | 度                                      | 当 09.3.24        | 図 09.3.24     | 図 09.3.24                            | 認 2009.3.24    |           |                  |           |
| △         | 単<br>DIM                               | m・m              | 質<br>MASS     | 品<br>DESCRIPTION                     |                |           |                  |           |
| △         | MICRO CADAM                            | MICRO CADAM      |               | 車載用ケーブル固定用ホルダー<br>名<br>コードホルダー-3D外観図 |                |           |                  |           |
| △         | 日本アンテナ株式会社<br>NIPPON ANTENNA CO., LTD. |                  |               | 図<br>DRAWING No.<br>番<br>MM-K914-H00 |                |           |                  |           |
| 符号<br>SYM | 日付<br>DATE                             | 変更<br>REVISION   | 記事<br>RECORD  | 担当<br>DESIGNED                       | 承認<br>APPROVED |           |                  |           |